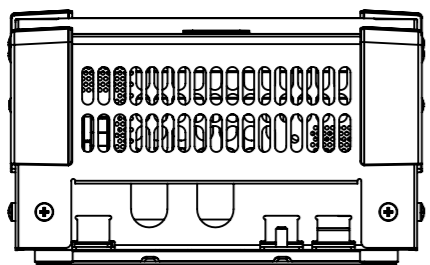
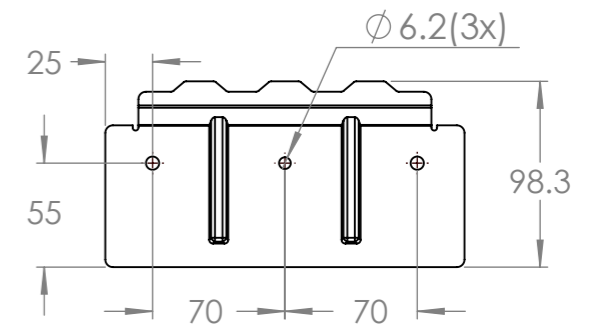
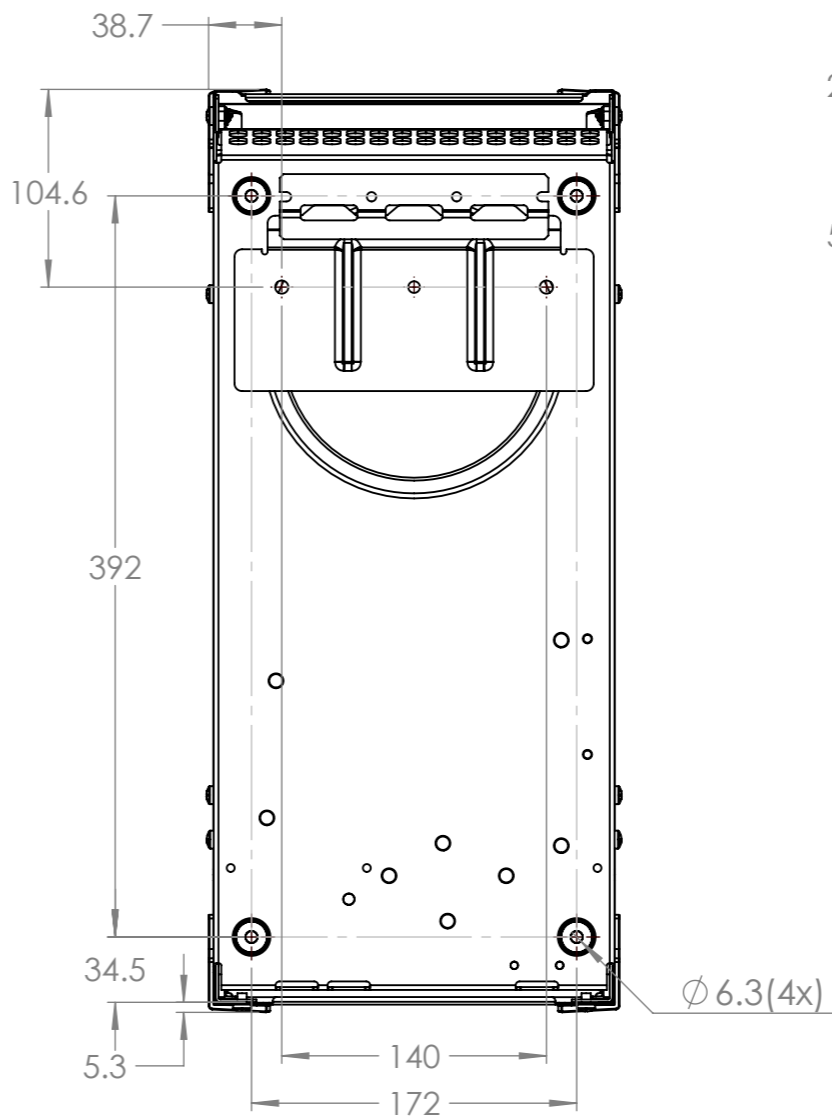
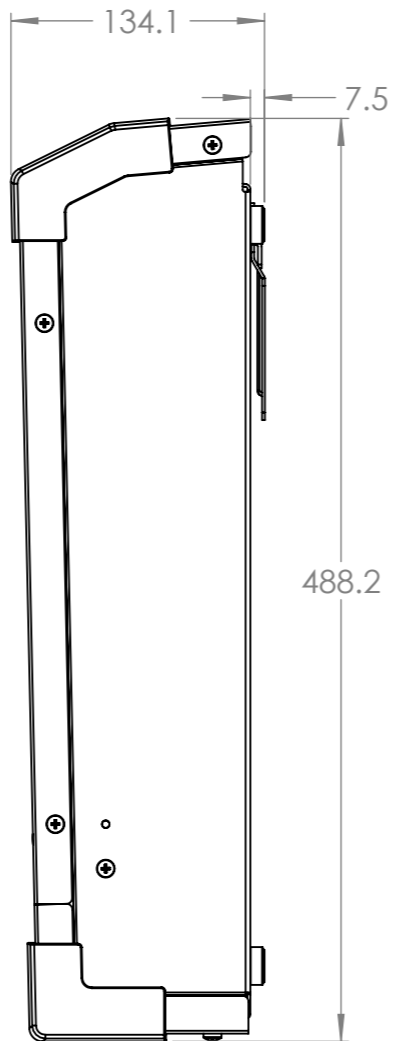
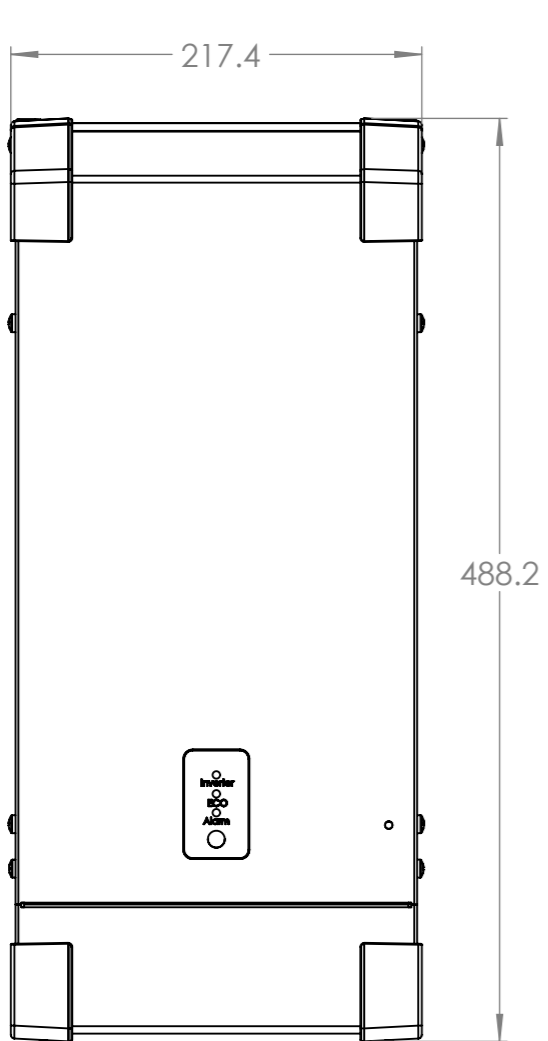


Dimension Drawing - Inverter	
valid for up to and including serial number HQ23xx	
PIN122160000 / PIN122161000	Inverter 12/1600 230V Smart
PIN242161000 / PIN242161000	Inverter 24/1600 230V Smart
PIN482161000 / PIN482161000	Inverter 48/1600 230V Smart
PIN122201000 / PIN122201000	Inverter 12/2000 230V Smart
PIN242201000 / PIN242201000	Inverter 24/2000 230V Smart
PIN482201000 / PIN482201000	Inverter 48/2000 230V Smart



Dimensions in mm

